

# EURO TOWERS LTD

UK Manufacturer of Aluminium Access Equipment



*The Art of Rising  
Above and Beyond*

## 2019 EURO TOWERS LTD PRODUCT BROCHURE



Tel: +44 (0) 1604 644 774 | Web: [www.EuroTowers.co.uk](http://www.EuroTowers.co.uk) | Email: [Sales@eurotowers.co.uk](mailto:Sales@eurotowers.co.uk)  
Euro Towers Ltd, Unit 5, Edgemoad Close, Round Spinney Ind Est, Northampton, NN3 8RG







# ABOUT US

## Service

As a truly independent company we are totally dedicated to supplying our customers with quality access products at competitive prices with an unbeatable service.

## Quality

- All products are manufactured to a TUV Approved Quality Management System ISO 9001:2008
- Aluminium towers are approved to DIN BS EN 1004 European Standard
- Podium units conform to the requirements of PAS250
- All of our welders are certified to BS 4872 pt 2

## Aftercare

We offer an aftercare service of repair and spare parts. All repairs are completed by Euro Towers under a TUV Quality Management System 9001:2008.

All welders are certificated to BSEN9606 pt 2. With a rapid turnaround, free collection and deliveries in England & Wales.

## Versatility

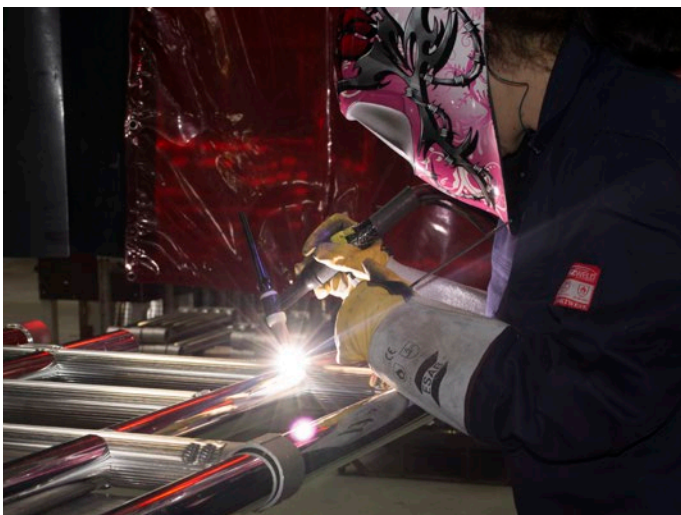
Our Euro Towers are available in three lengths 2m, 2.5m and 3m, and two widths 0.7m and 1.35m. Both single and double width frames are available in two, three, four and five rung, thus providing maximum platform options. All frames can be used as upper or lower frames to increase utilisation.

Available in 3T (Through the Trapdoor) erection method and AGR (Advanced Guardrail) method.

Euro Towers manufacture a full range of aluminium tower parts including Bridge Beams, High Clearance Platforms, Walkthrough Frames, Goalpost Frames, Portal Frames and Four Board Frames. All frames are designed to increase the versatility of the tower range.

## Social Media

Keep up to date with new products, industry news and special offers by following online or by downloading the Euro Towers contact APP.



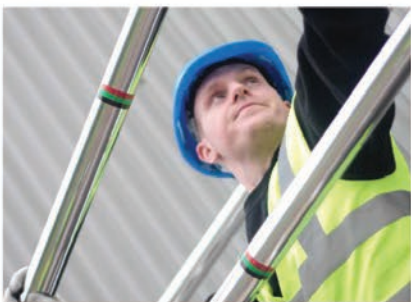
# EURO TOWERS FEATURES

All Items Are Manufactured And Certified To A TUV Approved Quality Management System ISO 9001:2015



## Crimping

- Ten indent configuration to resist tension and torque loads
- Extremely strong, the casting would rupture or the tube fracture before the joint would fail
- Under test conditions crimped joints are at least twice as durable as a welded joint even when the crimped joint has loosened as a result of abuse



## Braces

- Colour coded for ease of identification
- Seam welded tube for fine tolerance control
- Improved strength characteristics of seam welded tube that is 10% stronger than braces made of extruded tube



## Platform

- Bolted wide hook extrusion for easy replacement
- Plywood deck with non-slip mesh phenol finish
- Heavy duty frame to give maximum strength and maximum deflection of 9mm under test conditions
- Carbon spring steel wind lock clip as standard



## Hook

- Full strength profile to reduce abuse damage
- Constant lever pressure from double torsion stainless steel spring
- Very strong and reliable automatic locking



## Spigot

- Unique cast design to give maximum strength and durability
- Splined for easy frame assembly and disassembly
- Designed to eliminate interlock clip misalignment
- Incredibly robust to withstand abuse



# 3T TOWER ADDITIONS

## Maximise Your Options And Solve All Your Access Problems...



### Goalpost Frames

**A simple way of clearing any obstacles...**

Goalpost frames are used in areas where access is needed at the foot of a tower, for example, a doorway or window. It can also be used if an obstacle is preventing the tower from being constructed, such as a hedge, working station or immovable object.



### Linked Tower Systems (Façade)

These systems are ideal if a long stretch of platform working area is required at one time. The system is constructed using standard tower equipment to create this set up



### Bridging Units

**A quick and simple way of creating a bridge across 2 towers...**

Bridge Beams are the easiest way to link two towers together to create a very large working platform area and a long clear span between them. Ideal for bridging over machines, desks, pipe work runs etc. With the use of standard ladder frame tower components, the systems are very cost effective.



# 3T LADDER FRAME TOWER

**Minimise Your Stock Holding, Maximise Your Options And Solve All Your Access Problems...**

## Overview

The unique design of our Ladder Frame Tower is approved to DIN BS EN 1004 European Standard and is simply the best in the industry.

Both single and double width ladder frames are available in two, three, four and five rung sizes to provide maximum platform options.

No separate ladders or guardrail frames are required. Simply place your platform on the third rung below the top of the tower and the correct guardrail height is achieved.

3T Ladder Frame Tower	
Safe Work Load Platform	250kg
Safe Work Load Structure	750kg
Widths	DW (1.35m) / SW (0.70m)
Lengths	2m, 2.5m & 3m

## Features

- Up to 23 working platform heights
- Multi-start square threaded adjustable legs, incorporating full nut for maximum security
- A unique heavy duty splined spigot designed for maximum strength, rigidity and ease of tower assembly
- A unique ten-impression crimped joint, specially designed to improve resistance to abuse, reducing downtime and increasing durability
- Auto locking brace hook assembly incorporating double torsion stainless steel spring for durable and reliable use
- Platforms incorporating bolted hook extrusion for easy low cost repairability and platform profile designed to provide minimum deflection and improved strength
- Increased trapdoor opening for ease of access
- A range of trail/non trail castors and base plates available





# AGR - ADVANCED GUARDRAIL TOWER

*Provides Collective Fall Prevention Where The Guardrails Are In Place Before The Operator Accesses The Platform...*

## Tamper Proof Design

The ergonomic design lends itself to quick easy assembly and provides collective fall prevention before the operator accesses the platform and cannot be removed before the operator descends from the platform.

The specially designed guardrail units can be used in conjunction with the Ladder Frame and 232 range of towers.

Auto locking hooks on all four corners of the AGR frame ensuring secure fitting on the tower.

	AGR Tower
Safe Work Load Platform	250kg
Safe Work Load Structure	750kg
Widths	DW (1.35m) / SW (0.70m)
Lengths	2m & 2.5m



## Features

- Approved to TUV DIN BS EN 1004 European Standard available in two widths - 0.7m wide single and 1.35m double
- Multi-start square threaded adjustable legs, incorporating full nut for maximum security
- Specially designed guardrail units manufactured using aluminium seam welded box and standard tube
- The unique ten-impession crimped joint specially designed to improve resistance to abuse and reduce repair costs, reducing downtime and increasing durability
- Platforms incorporating bolted hook extrusion for easy low cost reparability and platform profile designed to provide minimum deflection and improved strength
- A range of trail/non trail castors and base plates available





# EURO 500 TOWER

## The Euro 500 Alegro Tower System Is Certified To BS EN 1004:2004

### Overview

Manufactured in the UK the Euro 500 is another great access solution to your working at height needs.

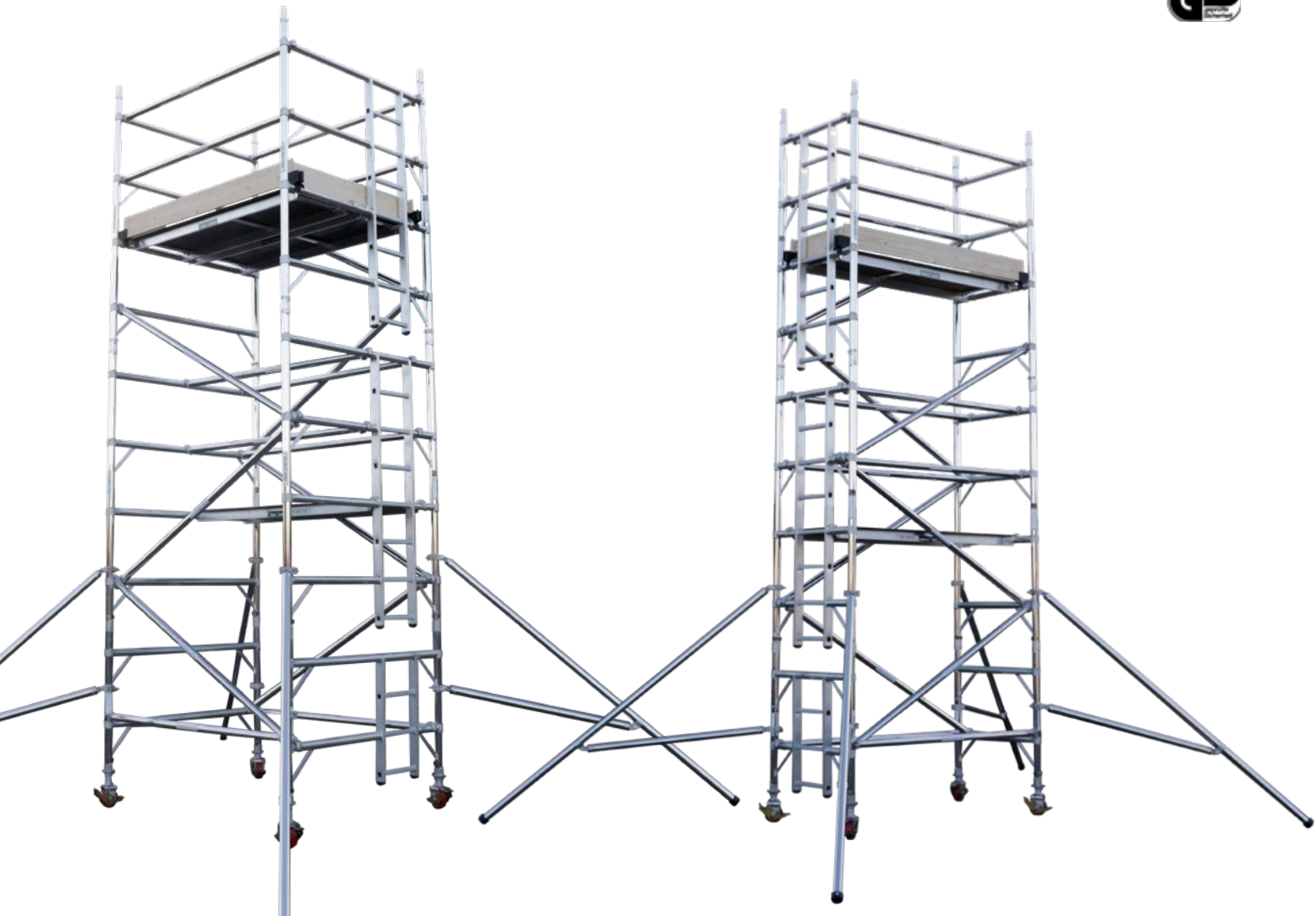
Both single and double width ladder frames are available in two, three, four and five rung sizes to provide maximum platform options.

No separate ladders or guardrail frames are required. Simply place your platform on the third rung below the top of the tower and the correct guardrail height is achieved.

	EURO 500 Tower
Safe Work Load Platform	250kg
Safe Work Load Structure	750kg
Widths	DW (1.45m) / SW (0.80m)
Lengths	1.8m, 2.5m & 3.2m

### Features

- Multi-start square threaded adjustable legs, incorporating full nut for maximum security
- Floating spigot for easier assembly
- Dedicated semi-integrated ladder
- A unique ten-impession crimped joint specially designed to improve resistance to abuse, reducing downtime and increasing durability
- Auto locking brace hook assembly incorporating double torsion stainless steel spring for durable and reliable use
- Platforms incorporating bolted hook extrusion for easy low cost reparability and platform profile designed to provide minimum deflection and improved strength
- Increased trapdoor opening for ease of access
- A range of trail/non trail castors and base plates available





# 232 MULTI-RUNG TOWER

## Multi Rung Frames For Maximum Platform Level Versatility...

### Overview

Available in 3T (Through the Trapdoor) erection method and AGR (Advanced Guardrail) method. Approved to TUV DIN BS EN 1004 European Standard. Available in two widths: single width 0.7m wide and double width 1.35m wide.

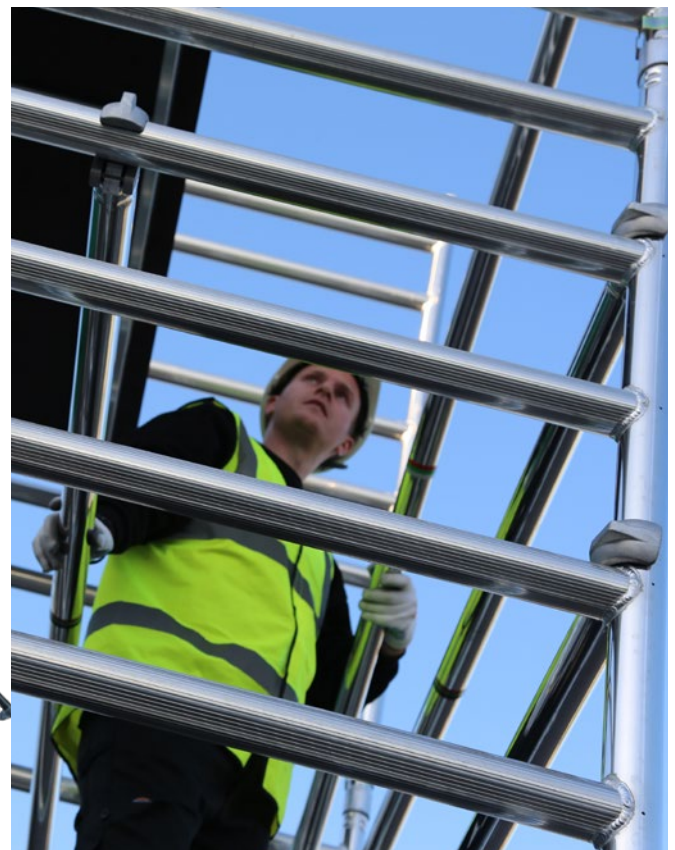
The tower contains 4 types of frames, 4, 6, 8 and 10 rung to ensure flexibility on different platform heights.

Multi rung frames increases the flexibility of working heights.

	<b>232 Narrow Rung Tower</b>
Safe Work Load Platform	250kg
Safe Work Load Structure	750kg
Widths	DW (1.35m) / SW (0.70m)
Lengths	2m, 2.5m & 3m

### Features

- Up to 64 working platform heights
- Multi-start square threaded adjustable legs, incorporating full nut for maximum security
- A unique heavy duty splined spigot designed for maximum strength and rigidity and ease of tower assembly
- A unique ten-impression crimped joint, specially designed to improve resistance to abuse reducing downtime and increasing durability
- Brace hook assembly incorporating double torsion stainless steel spring for durable and reliable use
- Platforms incorporating bolted hook extrusion for easy low cost reparability and platform profile designed to provide minimum deflection and improved strength
- Increased trapdoor opening for ease of access
- A range of trail/non trail castors and base plates available



# CANTILEVER SYSTEM

## Creating A Safe Working Platform, Accessing Over Restricted Areas...

Euro Towers Ltd Cantilever Tower Systems conform to BS 1139-6:2014. Euro Towers Cantilever Systems are available for use with 2m, 2.5m and 3m Euro Ladder Frame Towers in single or double width for side on and double width for end on applications utilising a buttress system and counterbalance weights to keep you safe.

A quick and simple alternative to tube and fitting scaffolding, the Euro Cantilever System allows safe access to areas previously out of reach. Cantilever frame options are single or double board wide for creating a wide range of possibilities to get you safely over obstructions such as porches, walls, extensions, roofs and fascia over shop canopies, to reach cables or over machinery and pipework in factories or atriums in buildings.

A full and comprehensive guide is available to download from our website listing all the possibilities that the Euro Cantilever Systems can offer.



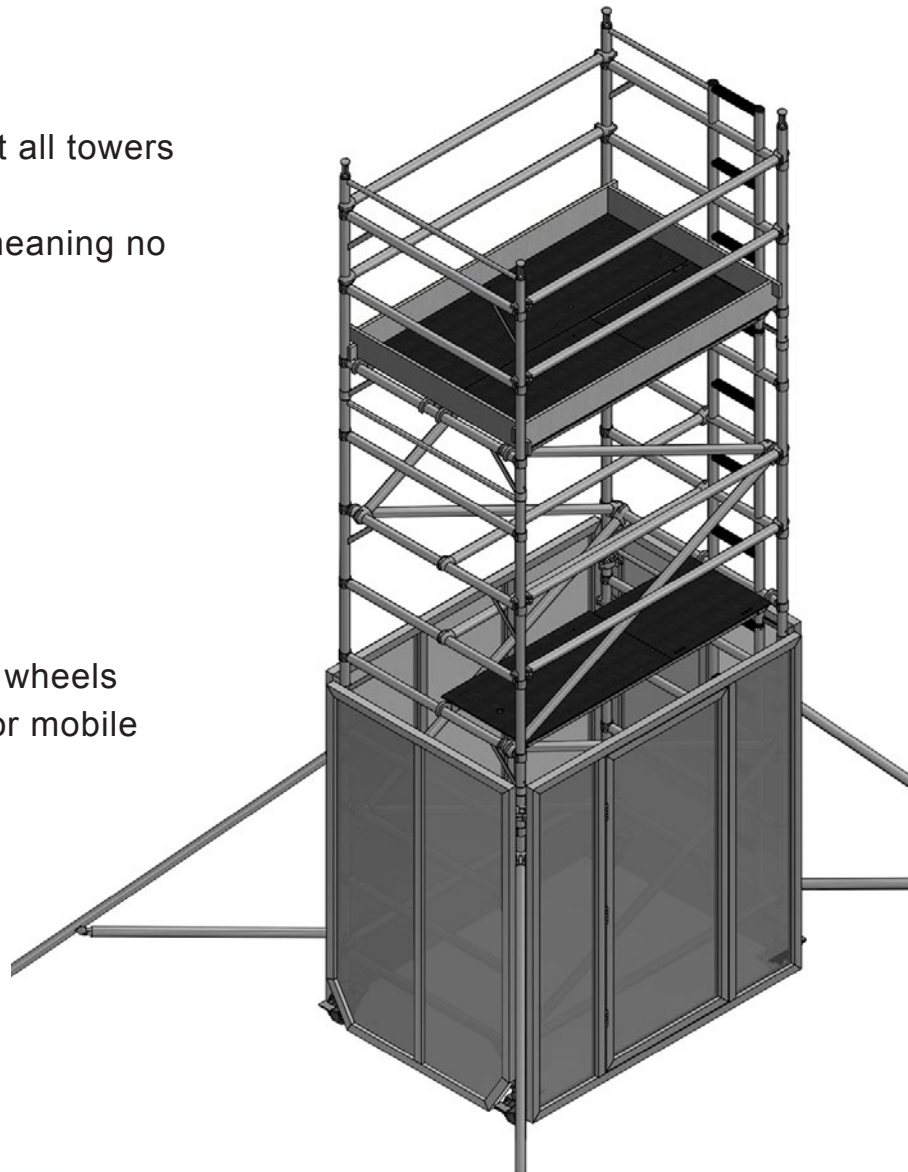


# SECURI - GUARD

## Prevent Unauthorised Access To Your Tower

### Benefits

- Available in multiple sizes to suit all towers
- Secure coded lock on the gate meaning no lost keys on site
- Quick and easy to install on site
- High quality finish
- Light-weight aluminium structure
- Can be used with base plates or wheels meaning the tower can be fixed or mobile



# EURO ONE - 1 MAN TOWER

## Quick Assembly, One Person Aluminium Mobile Tower...

### Euro One

Easy to erect and dismantle by one person with the base unit forming a trolley for fast storage and transportation. Perfect for any 1 person job that you may have on site or around the house.

- Aluminium Toe-board set
- Compact 1.2m x 0.7m base size
- Fits through standard doorways
- One size frame for an easier build
- 4 Platform heights

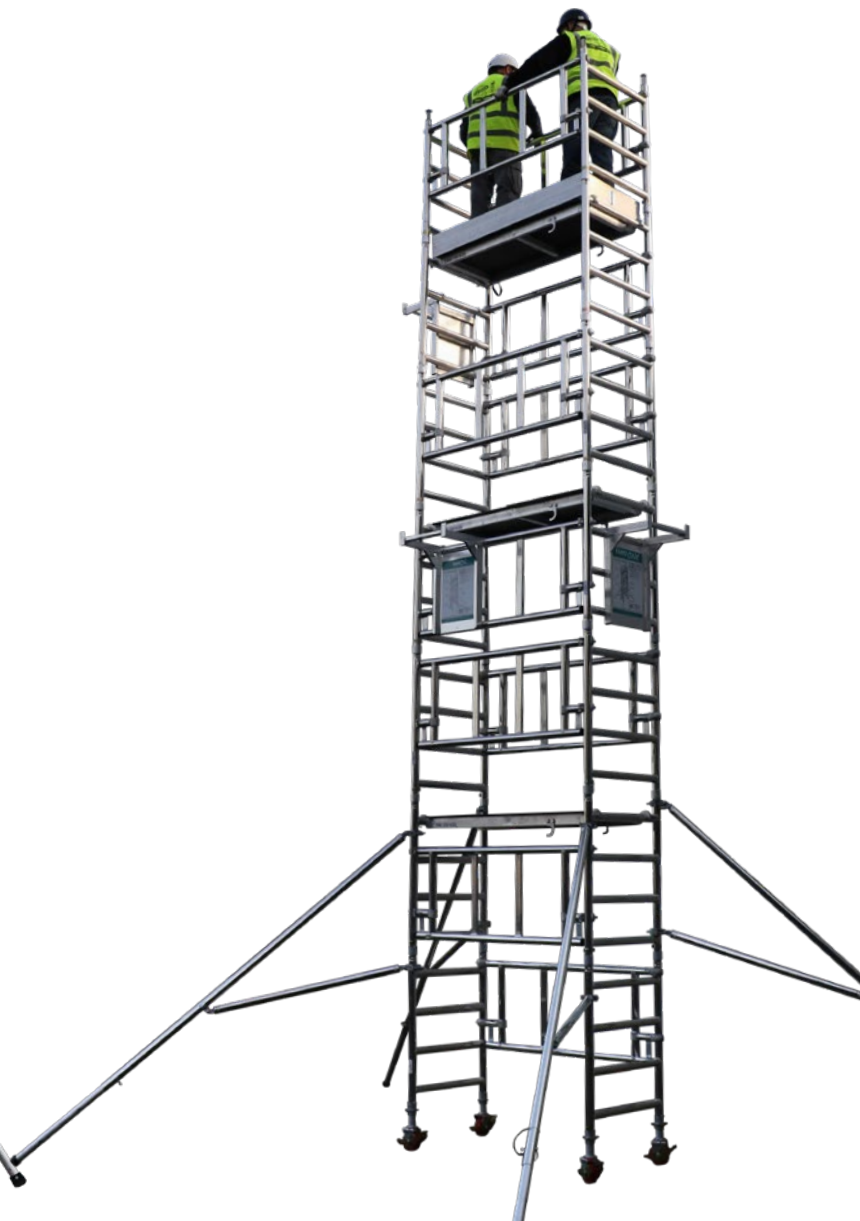
Specification	
Platform Heights	1.1m, 2.1m, 3.1m, 4.1m
Tower Heights	2.3m, 3.3m, 4.3m, 5.3m
Working Heights	3.1m, 4.1m, 5.1m, 6.1m
Working Lengths	1.3m
Platform Width	0.7m
Safe Working Load	150kg
Tower Weight	130kg

### Euro One 2

With all the benefits of the Euro One this tower also has the capability of 2 person use. This tower can be built by 1 person and then used by 1 or 2 people. Although this tower has a lot more equipment it can still be transported in as a trolley.

- Aluminium Toe board set
- Fits through standard doorways
- One size frame for an easier build
- 4 Platform heights

Specification	
Platform Heights	1.1m, 2.1m, 3.1m, 4.1m, 5.1m, 6.1m
Tower Heights	2.3m, 3.3m, 4.3m, 5.3m, 6.3m, 7.3m
Working Heights	3.1m, 4.1m, 5.1m, 6.1m
Platform Length	1.5m
Platform Width	0.7m
Safe Working Load	250kg
Tower Weight	200kg





# LIFT SHAFT TOWER

*Use Your Existing Stock To Create Another Business Opportunity...*

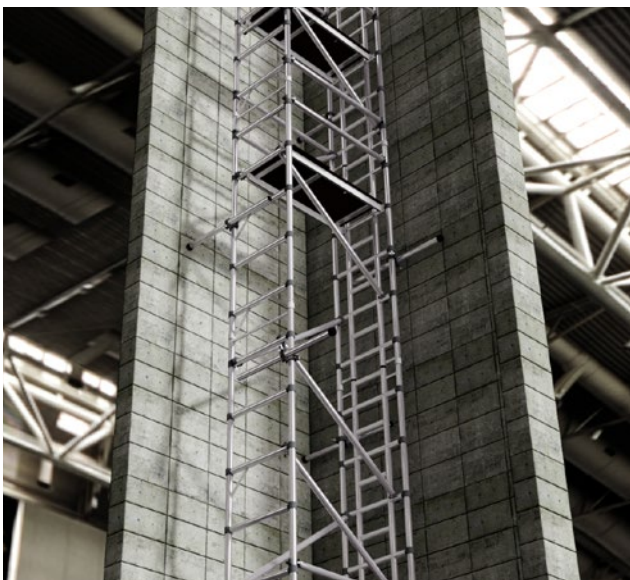
The Euro Towers Lift Shaft Tower conforms to BS EN 1004 European Standard

The Euro Lift Shaft Tower utilizes Euro Ladder Frame Tower single width frames reducing cost and making it an easy addition for existing Euro Towers Ladder Frame stockists.

Built following the 3T method, the Euro Lift Shaft Tower gives you the opportunity to gain safe access up to and in excess of 100ft in a confined space. Specifically designed to be used in the installation and maintenance of lifts and lift shafts in high-rise buildings, the Euro Lift Shaft Tower can be used in any confined space in which it can fit.

A complete and comprehensive guide is available to download from our website listing the full specification of the Euro Lift Shaft Tower.

	<b>Lift Shaft Tower</b>
Safe Work Load Platform	250kg
Safe Work Load Structure	750kg
Widths	SW (0.70m)
Lengths	1.1m



# STAIRWELL ACCESS TOWER

Conforming to BS 1139-6:2014

## Overview

Conforming to the BS 1139-6:2014 standard, this tower is a great solution to your working at height needs on any stairwell. Providing easy access from both sides of the tower this tower will allow access up and down the stairwell while it is in position. Access to the platform is provided by our ladder frame located at the base of the tower. Simply walk through the frame and climb the ladder.

This frame design solves the access problems experienced on narrow and domestic staircases allowing it to be used on a variety of jobs from painting in a house to changing lights in a office block stairwell.

	Stairwell Access Unit
Safe Working Load	250kg
Width	SW (0.7m)
Lengths	1.3m
Platform Height	2.2m
Extension Option Available	Up To 11.5m Working Height





# STEPFOLD 500 RANGE

## Stepfold 500 Podium

This unit is ideal for all trades to help get to those just out of reach places without difficulty. Ideal for installation, maintenance or snagging at the end of the job.

### Unique Features

- 2 working heights, 2.25m and 2.50m
- Easy to assemble in minutes
- Platform area ideal size for one person and tools
- Folds flat to fit in a van for easy transport and storage
- Open or folded, the unit easily passes through a standard door
- Non slip platform board
- Gated access to allow ease of entry and exiting to and from the unit

	<b>Stepfold 500</b>
Safe Working Load	150kg
Platform Heights	0.25m & 0.50m



## Stairpod 500 Podium

The unit has been designed to provide a safer way of working on staircases, providing a platform level of 0.5m.

Allowing stable, safe access whilst working on a staircase, this unit is ideal for 1 man use & rapid access.

This unit is also suitable for use on flat ground, providing platform levels of 0.25m & 0.5m.

	<b>Stairpod 500 Podium</b>
Safe Work Load Platform	150kg
Platform Dimensions	0.6m x 0.6m
Platform Height	0.5m



# STEPFOLD PODIUM 1 & 2

## Certified To The BS 8620 Standard

### Overview

Using a specially designed telescopic guardrail frame, the user is able to access the step platforms to gain easy access to and from the working platform. Certified to BS 8620 Standard.

Stepfold Podiums will fit through standard doorways. This unit has a folding mechanism that allows it to fold flat, great for transportation and storage. Stabilizers are provided for extra stability.

	Stepfold 1
Safe Working Load	150kg
Platform Dimensions	0.6m x 0.6m
Unit Dimensions	0.6m x 1.2m
Platform Heights	1m & 1.2m

	Stepfold 2
Safe Working Load	150kg
Platform Dimensions	0.6m x 0.6m
Unit Dimensions	0.6m x 1.2m
Platform Heights	1.2m & 1.45m

### Anti-Surf Option

This unit is available as a mobile unit complete with 4 Castors, or with the option of 2 plates as shown to prevent "surfing".

### Optional Extras

- Kynol Decked Platforms
- Toeboard Assembly
- Pod Tray - External Tool Tray
- Rubber Baseplate Cover

### Swing Gate Option

Both the Stepfold 1 & Stepfold 2 are available with a swing gate system rather than the standard single gate system.





# STEPFOLD PODIUM 3

## Certified To The BS 8620 Standard

### Overview

The Stepfold Podium 3 is certified to BS 8620 making it ideal for all site requirements that might include painting and decorating, plastering, pipework, ventilation on high ceilings, alarm installations and any other trade jobs that may require a slightly higher or lower reach than the standard podiums. Suitable for both internal and external applications, the Stepfold Podium 3 is easy to assemble and ready to use in minutes and has a captive folding system whereby the unit can be folded flat, ideal for easier manoeuvrability and transport.

	Stepfold 3
Safe Working Load	150kg
Platform Heights	2m

### Anti-Surf Option

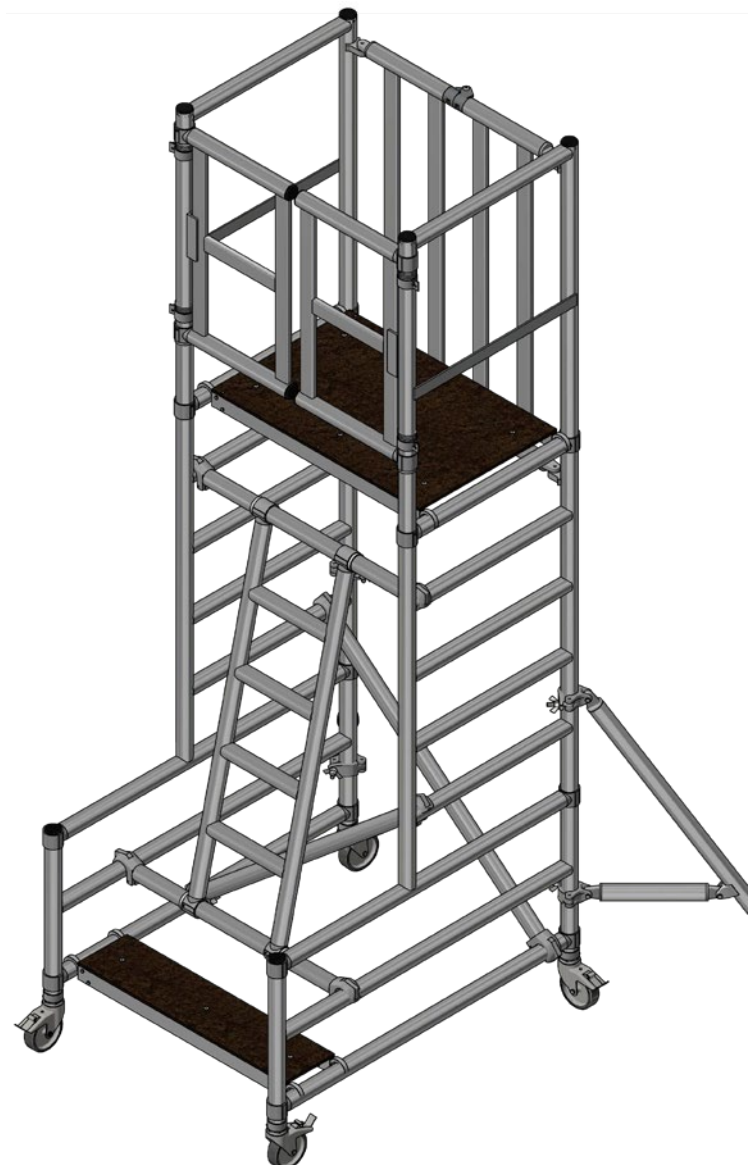
The unit is available as a mobile unit complete with 4 castors or with the option of 2 baseplates as shown to prevent "surfing".

### Optional Extras

- Kynol Decked Platforms
- Toeboard Assembly
- Pod Tray - External Tool Tray
- Rubber Baseplate Cover

### Swing Gate Option

This unit is available with a swing gate system rather than the standard single extendable gate.



# LOW LEVEL UNITS

Gain Fast Access In Areas Where Height And Space Are Limited...

## Benefits

- Ideal for one man use
- Easy to assemble
- Easily portable and manoeuvrable through standard doorways
- Ready for use in minutes
- Lightweight and robust
- Captive folding bracing system means minimum components
- Compact storage
- Folds flat to fit into a small van or on a roof rack

## Optional Extras

- Guardrail set comprising of 2 frames and 4 braces for the unit to be used at its maximum platform level
- Toeboard assembly - softwood or aluminium
- Non slip kynol deck aluminium platforms
- 150mm and 200mm castors and adjustable legs
- Pod Tray - external tool tray

## Extension Options

Both units offer additional extension packs including platform levels of 3m, 3.6m and 5.4m (Max working height of 7.4m)

	Minifold
Safe Working Load	150kg
Widths	0.7m
Lengths	1.5m
Platform Heights	0.2m - 1.8m

	Klikfold Unit
Safe Working Load	250kg
Width	0.7m
Lengths	2m
Platform Heights	0.2m - 1.8m





# SPECIALISED ACCESS UNITS

## To Suit Unusual Applications

### High Clearance Unit

This unit is specifically designed to be constructed over non movable objects both indoors and outdoors.

### Features

- Plywood platform with a non-slip mesh phenol finish
- 5 Rung Ladder for easy access to the platform
- Guardrail that is incorporated into the existing frame so no need for any extra components
- Braces which are compatible with the ladder frame tower so can be interchanged

	High Clearance Unit
Safe Working Load	250kg
Width	0.7m
Length	2m, 2.5m & 3m
Platform Height	1.4m
Clearance Height	1.2m
2m Unit Clearance Length	1.6m
2.5m Unit Clearance Length	2.1m
3m Unit Clearance Length	2.6m



### Windscreen Fitters Unit

If you need to get up higher to replace a windscreen and you need to do it fast? Gain safe, speedy, easy access with the Windscreen Assembly in minutes using our captive folding bracing system with minimum components.

- Windscreen can be loaded safely without removing any part of the guardrail section
- Folding base section with minimum components for compact storage
- Folds flat for easy transport in your fitters vans
- Provides a safe working platform 0.7m wide
- Non-slip ladder and gate mechanism for fast safe access
- Fitted with lockable 5" castors and non-slip platform board
- Adjustable legs and stabilizers for work on uneven ground

	Windscreen Fitters Unit
Safe Working Load	250kg
Width	0.7m
Length	1.5m, 2m & 2.5m
Platform Height	1.3m



# BESPOKE SERVICE

## Using A Revolutionary Digital Design System

Euro Towers can manufacture bespoke access equipment specific to your requirements, providing top of the range virtual 3D models prior to manufacturing.

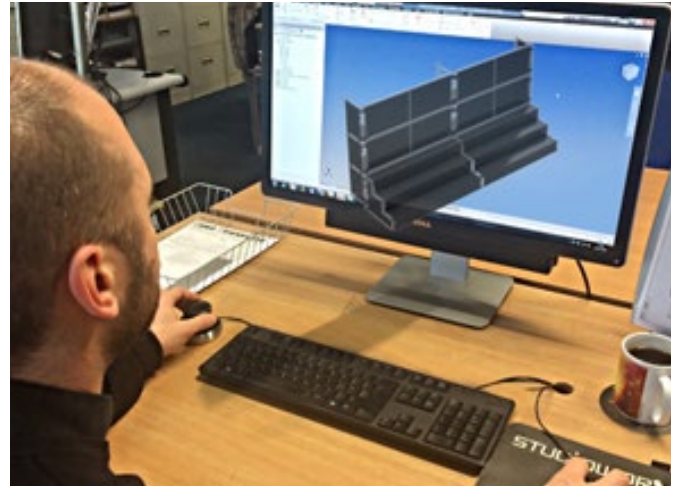
Previously supplied to the Nuclear Power Industry, Army Defence Industry, Food Industry, NHS and many more that require specialist access products.

## 3D Modelling

- Euro Towers can create 3D models of the designed products prior to manufacturing.
- This will give the customer a better feel for how the product would look and operate.

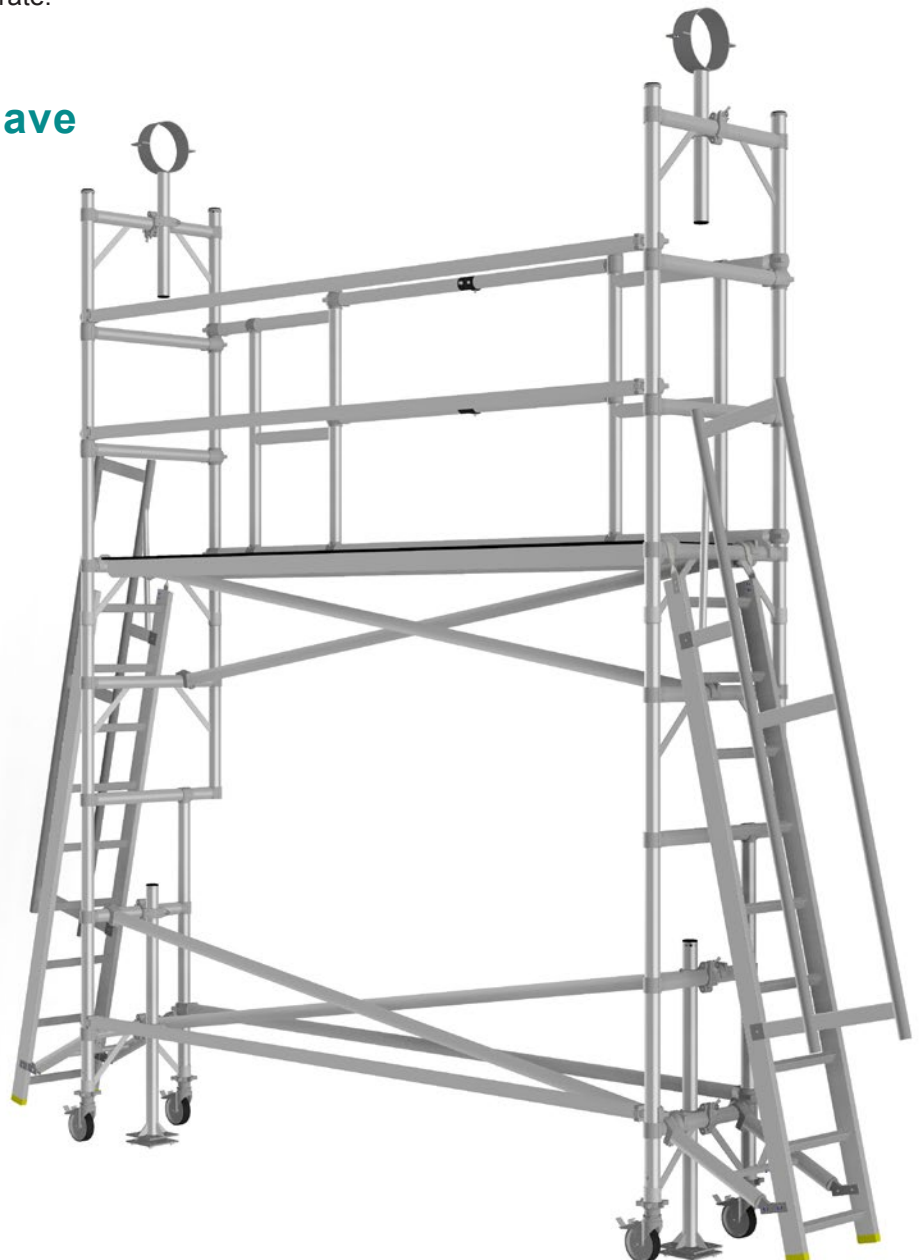
## Digital Design System

Our digital design system allows us to produce top of the range 3D models and drawings.



## Previous Projects Have Included

- Vehicle Access Units
- Specialised Clearance Units
- Aviation Access
- Train Access
- Specialised Low Level Units
- Mobile Staircases





# OTHER PRODUCTS



## Klikstak Chimney Scaffold

**A safe solution for working on roof tops...**

- This versatile unit is available as ¼, ½ and full units
- Can be safely extended down the roof or upwards for higher chimneys

## Accessories Available

The following tower and unit accessories are also available to purchase additionally:

### Tool Trays

**The Tool Trays are a great solution for tools and equipment storage when working at low level.**

The Pod Tray can fit onto any podium to free up the work platform for secure, hassle free, safer working. Just hook the Pod Tray onto the guardrail, slide it across to lock in position, place the equipment and tools in the tray and start work. Ideal for small tools and equipment for all tradesmen including builders, painters, electricians and facilities maintenance workers etc.



### No Bump Impact Protectors

**The simple way to reduce impact damage.**

No Bumps protect your towers, folding units and podium steps as well as the building surfaces around it too, helping to avoid costly claims for repair bills.

No Bumps are compatible with a range of equipment including low-level access units, aluminium towers, mobile elevated platforms and system scaffold. Providing protection for plaster work, fixtures, fittings, paintwork and operators alike.



### PASMA Inspection Records

For a highly visible inspection record system which is designed specifically for mobile access towers, the PASMA Tower Inspection Record lets operatives, supervisors and managers see at a glance when a tower is ready for use. Equally importantly, it also serves as a visible warning to potential users if the tower is not ready for use.



# TRAINING

Euro Towers are happy to provide onsite tool box talks as well as tailored product awareness for any aluminium product.

Tool box talks are a great way to re-emphasize existing best practice and although they are not a certified training course they certainly benefit all trades who are required to work at height.

The talks last around 10-15 minutes and can be at our premises or onsite with your workforce.

## Available Training Centre

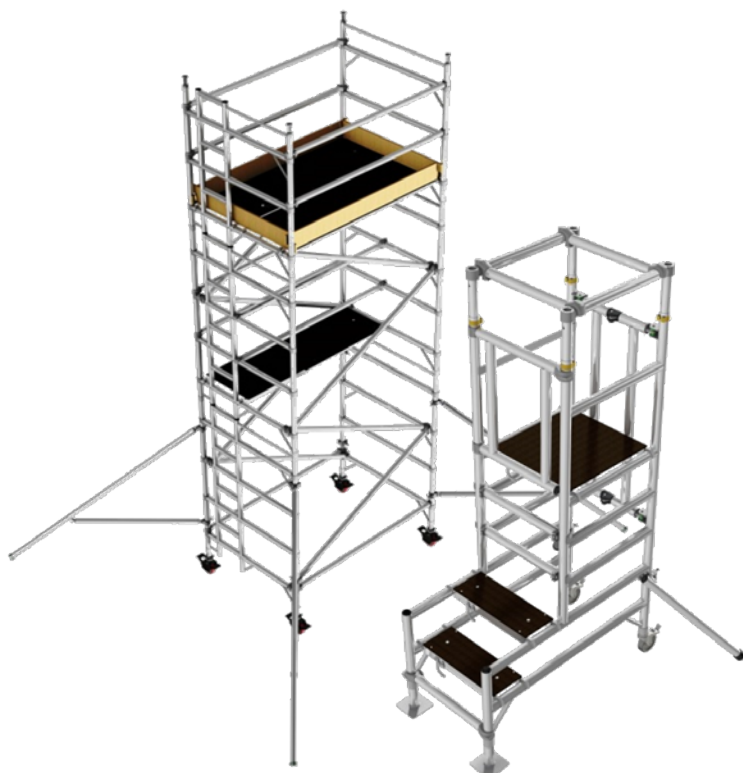
Our training centre situated at our premises in Northampton has allocated free parking. Situated a short distance from the M1, just off the A43.

With an outside practical demonstration area for fine weather and an undercover area for inclement weather.

## Catering

We offer free refreshments and buffet lunch to all delegates booked on a course.

Unlimited tea and coffee, luxury biscuits and a buffet lunch.



## Available PASMA Courses

- **Tower for Users – Full Day**
- **Low Level Access – ½ Day**
- **Towers & Low Level – Full Day**
- **Towers on Stairs – Full Day**
- **Cantilever Course – Full Day**

## Open Courses

Public open courses are available every month for the Tower Users course that offer a cost effective means to gain access to good quality training regardless of the number of delegates you may have.

The open course programme represents a cost effective means of meeting the training needs of a smaller number of staff without having to commit to booking exclusive private training programmes.

## In House Training

In house or onsite training can be arranged, subject to strict site criteria and available facilities. This is aimed at helping companies with larger numbers requiring training.

We can adapt training times to suit the schedule of your organisation and can also offer bespoke training courses to meet your specific needs where required.

For more information or to book individuals/groups on to these courses as and when you require, please contact us by either calling 01604 644774 or by email: [enquiries@eurotowers.co.uk](mailto:enquiries@eurotowers.co.uk)







01604 644 774  
EURO TOWERS LTD

TOWER TRAINED  
**PASMA**  
COMPETENCE WITHOUT COMPROMISE



By **EURO TOWERS LTD**  
UK Manufacturer of Aluminium Access Equipment

# The Art of Rising Above and Beyond



---

## **EURO TOWERS LTD**

UK Manufacturer of Aluminium Access Equipment

Tel: +44 (0) 1604 644 774

Web: [www.EuroTowers.co.uk](http://www.EuroTowers.co.uk)

Email: [Sales@eurotowers.co.uk](mailto:Sales@eurotowers.co.uk)

Euro Towers Ltd, Unit 5, Edgemoad Close

Round Spinney Ind Est, Northampton, NN3 8RG